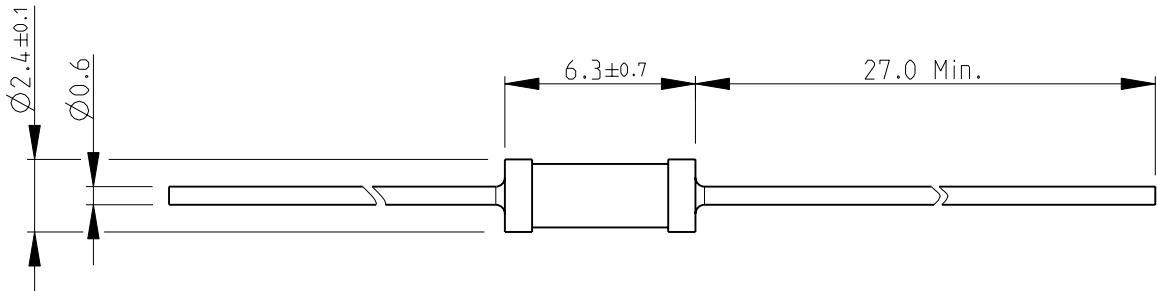
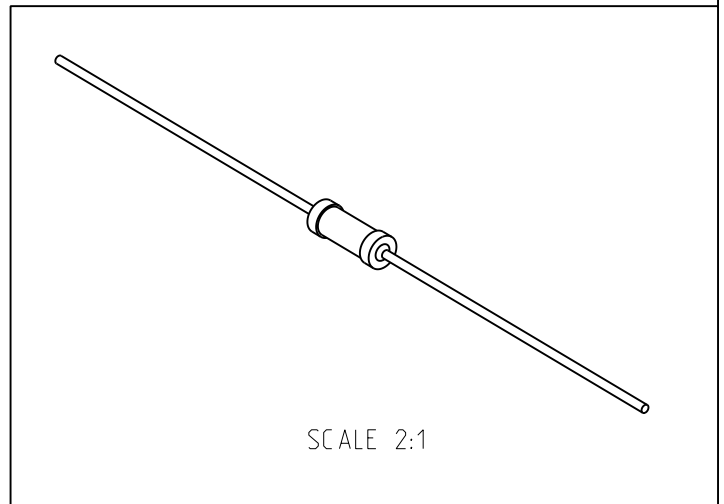


LOC	DIST	REVISIONS			
P	LTR	DESCRIPTION	DATE	DWN	APVD
E	B	A1	REVISED PER ECO-11-005150	28MAR2011	RK HMR

FOR FURTHER INFORMATION SEE DATA SHEET FOR
CBT SERIES-CARBON COMPOSITION RESISTORS



RoHS Compliant



SCALE 2:1

2008


RELEASED FOR PUBLICATION

ALL RIGHTS RESERVED.

THIS DRAWING IS UNPUBLISHED.

BY -

© COPYRIGHT 2008

DIMENSIONS: mm	DWN SUBHASH.M	16-Sep-08	MATERIAL	-	FINISH	-							
	CHK PRAKASH.S	16-Sep-08	 TE Connectivity										
TOLERANCES UNLESS OTHERWISE SPECIFIED:	APVD STEPHEN.P	16-Sep-08											
	0 PLC ± 0.2	PRODUCT SPEC	NAME CARBON COMPOSITION RESISTORS SERIES CBT25										
1 PLC ± 0.1	-												
2 PLC \pm	APPLICATION SPEC	SIZE	CAGE CODE	DRAWING NO	RESTRICTED TO								
3 PLC \pm	-	A 4	00779	C-1625875	-								
4 PLC \pm	-	CUSTOMER DRAWING				SCALE	4:1	SHEET	1	OF	1	REV	A1
ANGLES $\pm 5^\circ$	WEIGHT					-							

